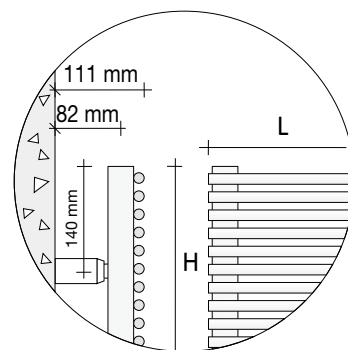


ORDER EXAMPLE

To correctly order this model follow the example specified below:

PRODUCT	BA14#120050 OB1 ST 9010
BA14#120050	Article code found in the prices table on the side
OB1	Connector code found in the table here below
ST	Standard Support code found in the table here below
9010	Colour code found in the TUBES COLOUR CHART
ACCESSORIES	
Z1TLNR#AN R12 9010	Valve and Lockshield - Copper angle 1/2" for copper pipes or multi-layer pipes - White RAL 9010
Z1RAC#R12CRO	12mm diam. copper pipe unions for Valve+Lockshield – chrome finish (2)



For other types of Valves see the table below or those on pages 271 - 272 - 273 - 274 - 275.

CONNECTORS

The towel warmers are supplied with "OB1" connectors.

If different connectors are required, strictly indicate this in the order. **IMPORTANT:** the connectors of towel warmers and radiators connected to the same system should all have the same configuration otherwise operating problems could occur.

Standard connectors

Will be supplied if not otherwise specified when placing the order

Rear connector

Supplied on request WITH an additional price charge of €

Custom-made connectors

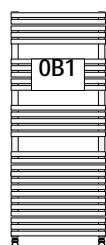
Supplied on request WITH an additional price charge of €

Connectors on request

Supplied on request WITHOUT an additional price charge

Custom-made connectors

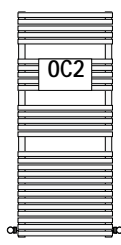
Supplied on request WITH an additional price charge of €



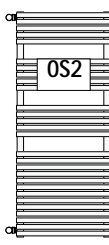
Interaxis (Pipe centre)
l=L-3,4 cm



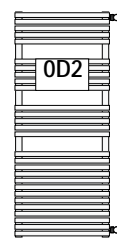
l=L-3,4 cm
rear connector for connection to GVR



Interaxis (Pipe centre)
l=L+13,8 cm



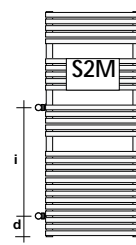
Interaxis (Pipe centre)
l=H-5,8 cm



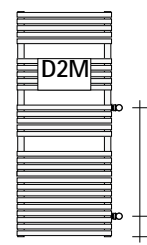
Interaxis (Pipe centre)
l=H-5,8 cm



single pipe



Specify "i" and "d"
i min.=5 cm
d min.=2 cm



SUPPORTS

The towel warmers are supplied with standard supports (code ST) that include wall fixing shelves, pressure anchors and manual Vent Valve.

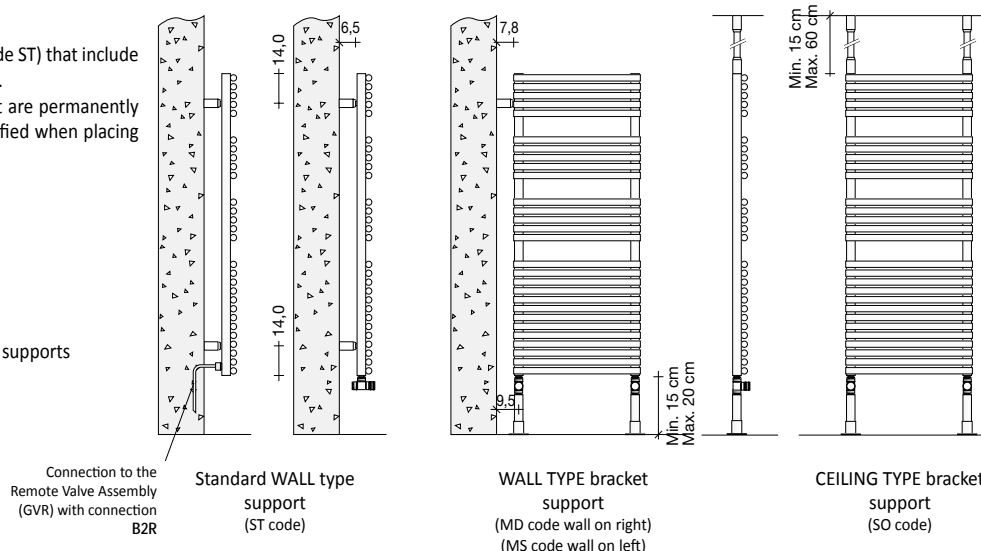
On request they can be ordered with bracket supports that are permanently welded on the towel warmers and therefore must be specified when placing the order, their code and cost are as follows:

code MD	WALL TYPE bracket support on the Right	€
code MS	WALL TYPE bracket support on the Left	€
code SO	CEILING TYPE bracket support	€

LIMITS

WALL TYPE bracket support	Width max 60.0 cm
CEILING TYPE bracket support	Width max 80.0 cm

The Chrome plated version cannot be supplied with bracket supports



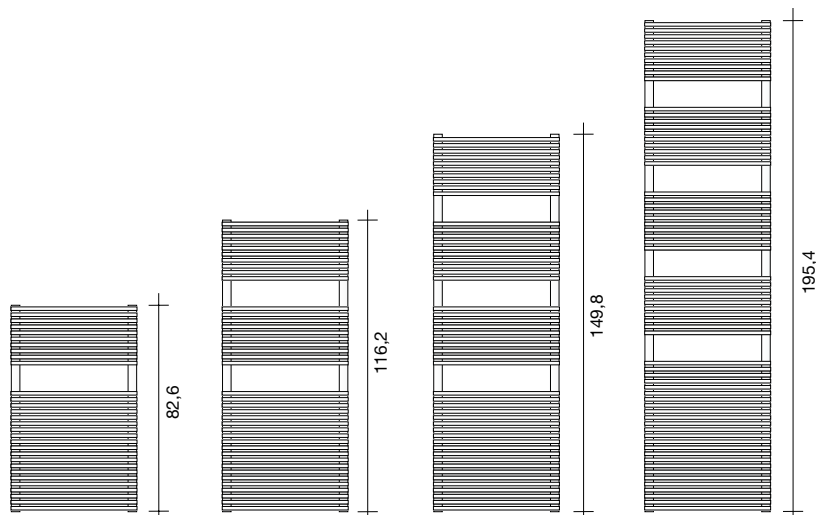
ADDITIONAL CHARGES FOR COLOURS AND FINISHES (see the official Tubes Colour Chart)

RAL colours not included in the colour chart + 30% more than Pure white price (cat. C0), for colours according to samples request feasibility and estimate.

PLATED finishes: Nickel Satin finish same price as Glossy CHROME (cat. G1), 14kt GOLD finish (cat. G5)+50% and 24kt GOLD (cat. G6)+60% more than Chrome (Cat.G0).

BATH 14

Price per radiator with White RAL 9010 finish and standard connectors - VAT and transport charges excluded



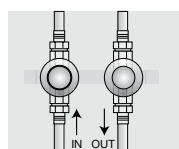
Code	H (cm)	L (cm)	Interaxis (Pipe centre) (cm)	Water Content (l)	Coloured version		Chrome plated version		Category C0 RAL 9010 (€)	Category C1/C2 (€)	Category C3 (€)	Chrome plated G0 (€)
					Watts ΔT 50°C	Watts ΔT 30°C	Watts ΔT 50°C	Watts ΔT 30°C				
BA14#080040	82,6	40,0	36,6	1,64	367	204	271	142				
BA14#080050		50,0	46,6	2,05	459	255	345	182				
BA14#080060		60,0	56,6	2,46	550	306	418	222				
BA14#080070		70,0	66,6	2,87	642	357	491	263				
BA14#080080		80,0	76,6	3,28	734	408	565	304				
BA14#080090		90,0	86,6	3,69	826	459						
BA14#080100		100,0	96,6	4,10	918	510						
BA14#120040	116,2	40,0	36,6	2,22	488	270	386	204				
BA14#120050		50,0	46,6	2,78	610	338	471	250				
BA14#120060		60,0	56,6	3,33	732	405	556	297				
BA14#120070		70,0	66,6	3,89	854	473	641	344				
BA14#120080		80,0	76,6	4,45	976	541	726	391				
BA14#120090		90,0	86,6	5,00	1098	608						
BA14#120100		100,0	96,6	5,56	1220	676						
BA14#150040	149,8	40,0	36,6	2,91	598	331	481	249				
BA14#150050		50,0	46,6	3,65	747	413	585	306				
BA14#150060		60,0	56,6	4,36	896	496	689	363				
BA14#150070		70,0	66,6	5,09	1046	579	793	421				
BA14#150080		80,0	76,6	5,82	1195	661	897	481				
BA14#150090		90,0	86,6	6,54	1344	743						
BA14#150100		100,0	96,6	7,27	1494	826						
BA14#190040	195,4	40,0	36,6	3,75	781	429	625	323				
BA14#190050		50,0	46,6	4,68	977	536	758	394				
BA14#190060		60,0	56,6	5,62	1172	643	891	465				
BA14#190070		70,0	66,6	6,55	1367	750	1024	536				
BA14#190080		80,0	76,6	7,49	1593	874	1157	608				
BA14#190090		90,0	86,6	8,43	1758	965						
BA14#190100		100,0	96,6	9,36	1926	1057						

In the CHROME (plated) version the code BA14 becomes BA14G
For correction factors different to ΔT50°C/ΔT30°C see page 284-289

Towel warmers available in stock with OB1 connector and in White RAL 9010 colour or Chrome plated

REMOTE VALVE ASSEMBLY

code	Description	Price
GVR#	Valve and Lockshield assembly for recessed remote connection, CHROME finish	€
GVRC#	Valve and Lockshield assembly for recessed remote connection, COLOUR finish	€



STANDARD VALVES (for Valves and Lockshields, valves that can be fitted with thermostat, Thermostatic valves, or Single pipe, Twin pipe, Stainless steel and thermostatic heads see pages 271, 272, 273, 274 und 275 of the Price List)

code / Description	Price
Z1TLNR#ANR129010 Paired Valve and Lockshield copper Angle 1/2" WHITE	€
Z1RAC#R12CRO 2 copper unions diam. 12 mm	CHROME €
ZRCF# Kit with pipe collars for towel warmers	WHITE €

BATH 14 DOUBLE

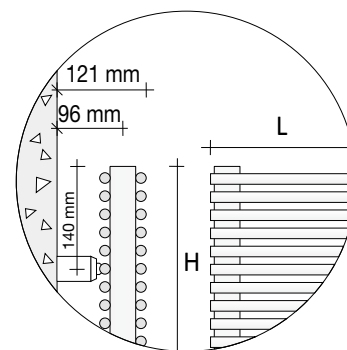
Towel warmer composed of horizontal fusion welded elements in 14 mm diameter steel with 34 mm diam. manifolds

HW

ORDER EXAMPLE

To correctly order this model follow the example specified below:

PRODUCT	BA14D#120050 OB1 ST 9010
BA14D#120050	Article code found in the prices table on the side
OB1	Connector code found in the table here below
ST	Standard Support code found in the table here below
9010	Colour code found in the TUBES COLOUR CHART
ACCESSORIES	
Z1TLNR#AN R12 9010	Valve and Lockshield - Copper angle 1/2" for copper pipes or multi-layer pipes - White RAL 9010
Z1RAC#R12CRO	12mm diam. copper pipe unions for Valve+Lockshield – chrome finish (2)



For other types of Valves see the table below or those on pages 271 - 272 - 273 - 274 - 275.

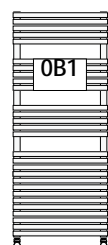
CONNECTORS

The towel warmers are supplied with "OB1" connectors.

If different connectors are required, strictly indicate this in the order. **IMPORTANT:** the connectors of towel warmers and radiators connected to the same system should all have the same configuration otherwise operating problems could occur.

Standard connectors

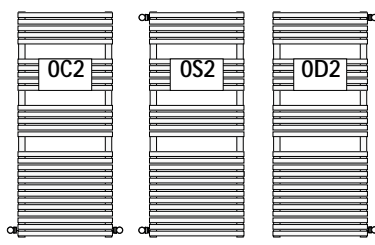
Will be supplied if not otherwise specified when placing the order



Interaxis (Pipe centre)
l=L-3,4 cm

Custom-made connectors

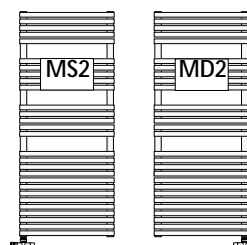
Supplied on request WITH an additional price charge of €



Interaxis (Pipe centre) l=L+13,8 cm
Interaxis (Pipe centre) l=H-5,8 cm
Interaxis (Pipe centre) l=H-5,8 cm

Connectors on request

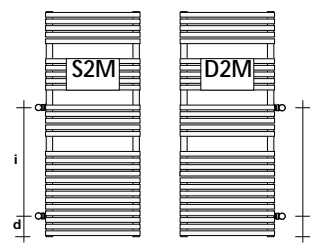
Supplied on request WITHOUT an additional price charge



single pipe

Custom-made connectors

Supplied on request WITH an additional price charge of €



Specify "i" and "d"
i min.=5 cm d min.=2 cm

SUPPORTS

The towel warmers are supplied with standard supports (code ST) that include wall fixing shelves, pressure anchors and manual Vent Valve.

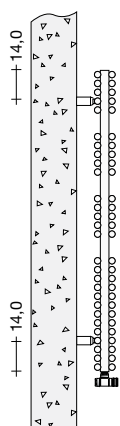
On request they can be ordered with bracket supports that are permanently welded on the towel warmers and therefore must be specified when placing the order, their code and cost are as follows:

code MD	WALL TYPE bracket support on the Right	€
code MS	WALL TYPE bracket support on the Left	€
code SO	CEILING TYPE bracket support	€

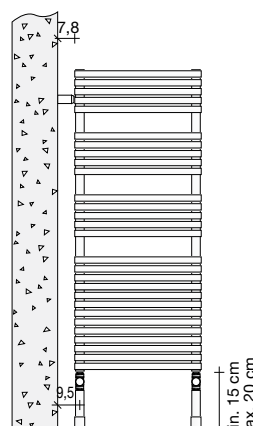
LIMITS

WALL TYPE bracket support	Width max 40.0 cm
CEILING TYPE bracket support	Width max 60.0 cm

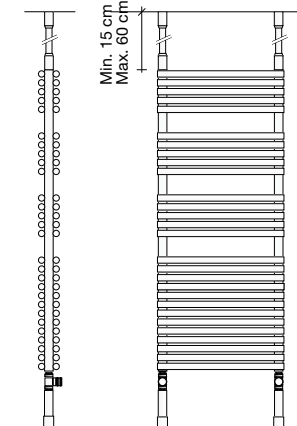
The Chrome plated version cannot be supplied with bracket supports



Standard WALL type support (ST code)



WALL TYPE bracket support (MD code wall on right) (MS code wall on left)



CEILING TYPE bracket support (SO code)

ADDITIONAL CHARGES FOR COLOURS AND FINISHES (see the official Tubes Colour Chart)

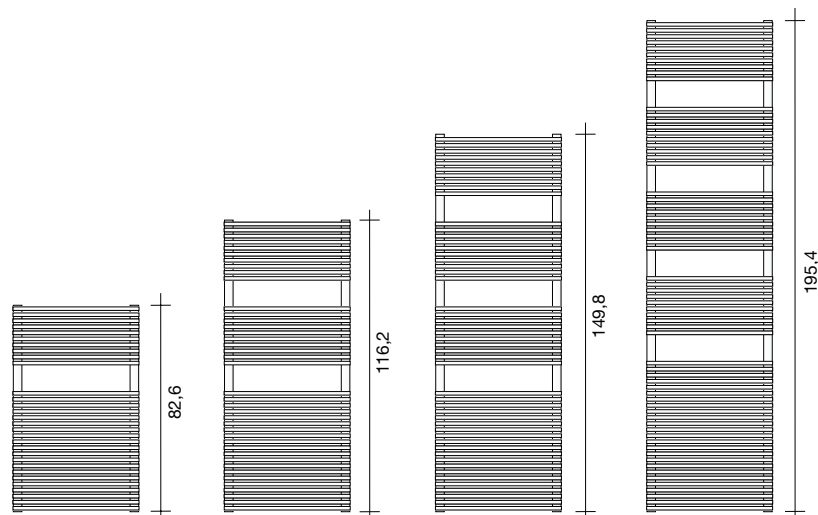
RAL colours not included in the colour chart + 30% more than Pure white price (cat. C0), for colours according to samples request feasibility and estimate.

PLATED finishes: NOT available

BATH 14 DOUBLE

Price per radiator with White RAL 9010 finish and standard connectors - VAT and transport charges excluded




HW



Code	H (cm)	L (cm)	Interaxis (Pipe centre) (cm)	Water Content (l)	Coloured version		Category C0 RAL 9010 (€)	Category C1/C2 (€)	Category C3 (€)
					Watts ΔT 50°C	Watts ΔT 30°C			
BA14D#080040	82,6	40,0	36,6	4,77	650	339			
BA14D#080050		50,0	46,6	5,34	813	424			
BA14D#080060		60,0	56,6	5,91	975	508			
BA14D#080070		70,0	66,6	6,71	1138	593			
BA14D#080080		80,0	76,6	7,05	1301	678			
BA14D#080090		90,0	86,6	7,71	1462	762			
BA14D#080100		100,0	96,6	8,19	1625	847			
BA14D#120040	116,2	40,0	36,6	6,55	832	433			
BA14D#120050		50,0	46,6	7,31	1040	542			
BA14D#120060		60,0	56,6	8,07	1249	651			
BA14D#120070		70,0	66,6	9,03	1457	759			
BA14D#120080		80,0	76,6	9,59	1665	867			
BA14D#120090		90,0	86,6	10,55	1873	976			
BA14D#120100		100,0	96,6	11,11	2081	1084			
BA14D#150040	149,8	40,0	36,6	8,32	995	518			
BA14D#150050		50,0	46,6	9,27	1244	648			
BA14D#150060		60,0	56,6	10,22	1493	778			
BA14D#150070		70,0	66,6	11,17	1741	907			
BA14D#150080		80,0	76,6	12,12	1990	1037			
BA14D#150090		90,0	86,6	13,07	2239	1167			
BA14D#150100		100,0	96,6	14,02	2488	1296			
BA14D#190040	195,4	40,0	36,6	10,84	1249	651			
BA14D#190050		50,0	46,6	12,07	1561	813			
BA14D#190060		60,0	56,6	13,31	1874	976			
BA14D#190070		70,0	66,6	14,54	2186	1139			
BA14D#190080		80,0	76,6	15,77	2498	1301			
BA14D#190090		90,0	86,6	17,01	2810	1464			
BA14D#190100		100,0	96,6	18,24	3123	1627			

For correction factors different to $\Delta T 50^\circ\text{C}/\Delta T 30^\circ\text{C}$ see page 284-289

STANDARD VALVES (for Valves and Lockshields, valves that can be fitted with thermostat, Thermostatic valves, or Single pipe, Twin pipe, Stainless steel and thermostatic heads see pages 271, 272, 273, 274 und 275 of the Price List)

code / Description	Price
 Z1TLNR#ANR129010 Paired Valve and Lockshield copper Angle 1/2" WHITE	€
 Z1RAC#R12CRO 2 copper unions diam. 12 mm CHROME	€
 ZRCF# Kit with pipe collars for towel warmers WHITE	€

BATH 14 i5

Towel warmer composed of horizontal fusion welded elements in 14 mm diameter steel with 34 mm diam. manifolds

HW

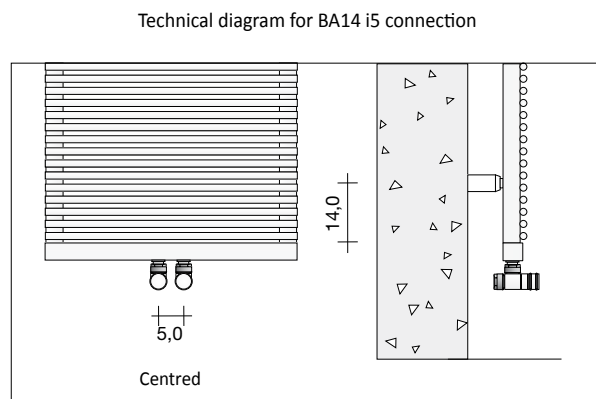
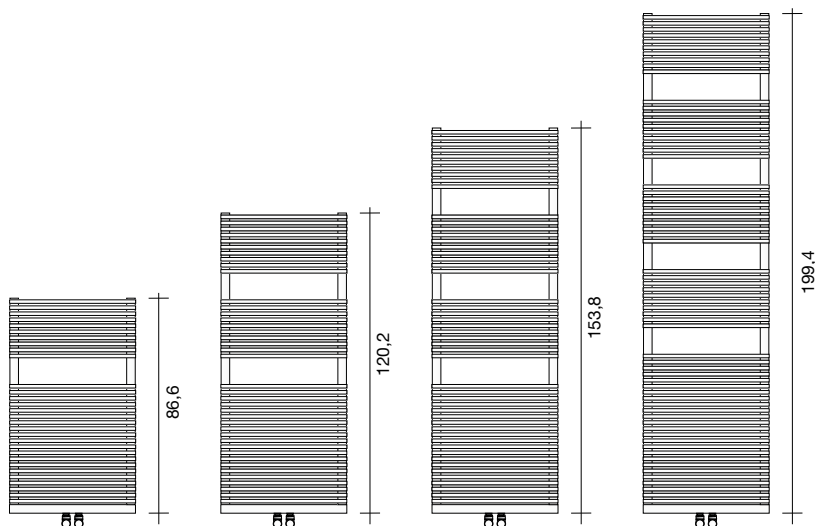
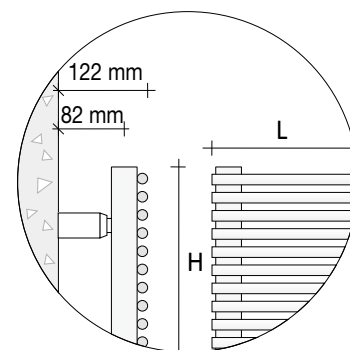
ORDER EXAMPLE

To correctly order this model follow the example specified below:

PRODUCT
 BA14 i5#120050 Article code found in the prices table here below
 0i5 Connection code for 5 cm Interaxis (Pipe centre) (Pipe centre)
 ST Standard Support code found in the table here below
 9010 Colour code found in the TUBES COLOUR CHART

ACCESSORIES
 Z1TLNR#AN R12 9010 Valve and Lockshield - Copper angle 1/2" for copper pipes or multi-layer pipes - White RAL 9010
 Z1RAC#R12CRO 12mm diam. copper pipe unions for Valve+Lockshield – chrome finish (2)

For other types of Valves see the table below or those on pages 271 - 272 - 273 - 274 - 275.



Code	H (cm)	L (cm)	Interaxis (Pipe centre) (cm)	Water Content (l)	Coloured version		Chrome plated version		Category C0 RAL 9010 (€)	Category C1/C2 (€)	Category C3 (€)	Chrome plated G0 (€)
					Watts ΔT 50°C	Watts ΔT 30°C	Watts ΔT 50°C	Watts ΔT 30°C				
BA14i5#080040	86,6	40,0	5	1,64	367	204	271	142				
BA14i5#080050		50,0	5	2,05	459	255	345	182				
BA14i5#080060		60,0	5	2,46	550	306	418	222				
BA14i5#120040	120,2	40,0	5	2,22	488	270	386	204				
BA14i5#120050		50,0	5	2,78	610	338	471	250				
BA14i5#120060		60,0	5	3,33	732	405	556	297				
BA14i5#150040	153,8	40,0	5	2,91	598	331	481	249				
BA14i5#150050		50,0	5	3,65	747	413	585	306				
BA14i5#150060		60,0	5	4,36	896	496	689	363				
BA14i5#190040	199,4	40,0	5	3,75	781	429	625	323				
BA14i5#190050		50,0	5	4,68	977	536	758	394				
BA14i5#190060		60,0	5	5,62	1172	643	891	465				

For correction factors different to ΔT50°C/ΔT30°C see page 284-289

ADDITIONAL CHARGES FOR COLOURS AND FINISHES (see the official Tubes Colour Chart)

RAL colours not included in the colour chart + 30% more than Pure white price (cat. C0), for colours according to samples request feasibility and estimate.

PLATED finishes: Nickel Satin finish same price as Glossy CHROME (cat. G1), 14kt GOLD finish (cat. G5)+50% and 24kt GOLD (cat. G6)+60% more than Chrome (Cat.G0).

STANDARD VALVES (for Valves and Lockshields, valves that can be fitted with thermostat, Thermostatic valves, or Single pipe, Twin pipe, Stainless steel and thermostatic heads see pages 271, 272, 273, 274 und 275 of the Price List)

code / Description	Price	code / Description	Price
Z1TLNR#ANR129010 Paired Valve and Lockshield copper Angle 1/2" WHITE €		Z1TL5NR#ANR12SX... Valves with 5 cm Interaxis (Pipe centre) 5 cm - Left 9010 € CHROME €	
Z1RAC#R12CRO 2 copper unions diam. 12 mm CHROME €		Z1TL5NR#ANR12DX... Valves with 5 cm Interaxis (Pipe centre) 5 cm - Right 9010 € CHROME €	
ZRCF# Kit with pipe collars for towel warmers WHITE €			

BATH 14 i5 DOUBLE

Towel warmer composed of horizontal fusion welded elements in 14 mm diameter steel with 34 mm diam. manifolds

HW

ORDER EXAMPLE

To correctly order this model follow the example specified below:

PRODUCT

BA14D i5#120050
0i5
ST
9010

BA14Di5#120050 0i5 ST 9010

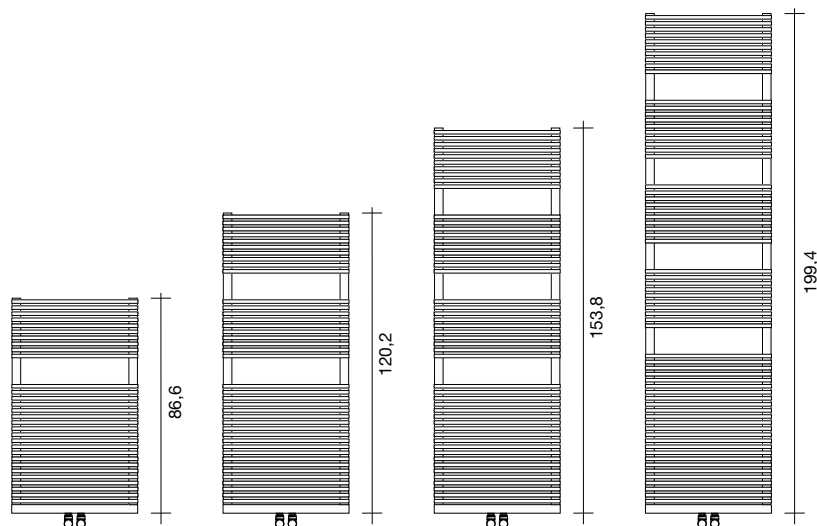
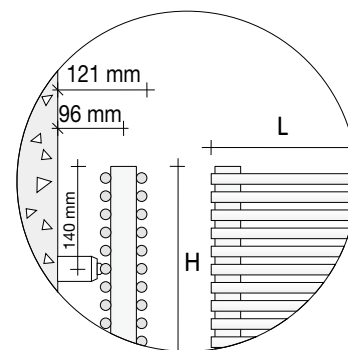
Article code found in the prices table here below
Connection code for 5 cm Interaxis (Pipe centre) (Pipe centre)
Standard Support code found in the table here below
Colour code found in the TUBES COLOUR CHART

ACCESSORIES

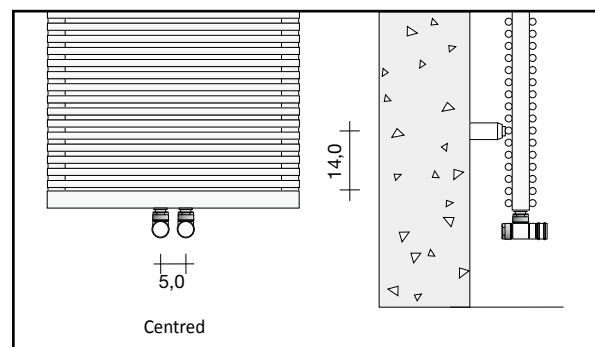
Z1TLNR#AN R12 9010
Z1RAC#R12CRO

Valve and Lockshield - Copper angle 1/2" for copper pipes or multi-layer pipes - White RAL 9010
12mm diam. copper pipe unions for Valve+Lockshield – chrome finish (2)

For other types of Valves see the table below or those on pages 271 - 272 - 273 - 274 - 275.



Technical diagram for BA14D i5 connection



Code	H (cm)	L (cm)	Interaxis (Pipe centre) (cm)	Water Content (l)	Coloured version		Category C0 RAL 9010 (€)	Category C1/C2 (€)	Category C3 (€)
					Watts ΔT 50°C	Watts ΔT 30°C			
BA14Di5#080040	86,6	40,0	5	4,77	650	339			
BA14Di5#080050		50,0	5	5,34	813	424			
BA14Di5#080060		60,0	5	5,91	975	508			
BA14Di5#120040	120,2	40,0	5	6,55	832	433			
BA14Di5#120050		50,0	5	7,31	1040	542			
BA14Di5#120060		60,0	5	8,07	1249	651			
BA14Di5#150040	153,8	40,0	5	8,32	995	518			
BA14Di5#150050		50,0	5	9,27	1244	648			
BA14Di5#150060		60,0	5	10,22	1493	778			
BA14Di5#190040	199,4	40,0	5	10,84	1249	651			
BA14Di5#190050		50,0	5	12,07	1561	813			
BA14Di5#190060		60,0	5	13,31	1874	976			

For correction factors different to ΔT50°C/ΔT30°C see page 284-289

ADDITIONAL CHARGES FOR COLOURS AND FINISHES (see the official Tubes Colour Chart)

RAL colours not included in the colour chart + 30% more than Pure white price (cat. C0), for colours according to samples request feasibility and estimate.

PLATED finishes: NOT available

STANDARD VALVES (for Valves and Lockshields, valves that can be fitted with thermostat, Thermostatic valves, or Single pipe, Twin pipe, Stainless steel and thermostatic heads see pages 271, 272, 273, 274 und 275 of the Price List)

code / Description	Price	code / Description	Price
Z1TLNR#ANR129010 Paired Valve and Lockshield copper Angle 1/2" WHITE	€	Z1TL5NR#ANR12SX... Valves with 5 cm Interaxis (Pipe centre) 5 cm - Left	9010 € CHROME €
Z1RAC#R12CRO 2 copper unions diam. 12 mm	CHROME €	Z1TL5NR#ANR12DX... Valves with 5 cm Interaxis (Pipe centre) 5 cm - Right	9010 € CHROME €
ZRCF# Kit with pipe collars for towel warmers	WHITE €		

BATH 14 ELECTRIC

Towel warmer composed of horizontal fusion welded elements in 14 mm diameter steel with 34 mm diam. manifolds

EL

ORDER EXAMPLE

To correctly order this model follow the example specified below:

PRODUCT

BA14E#080050

U1

ST

9010

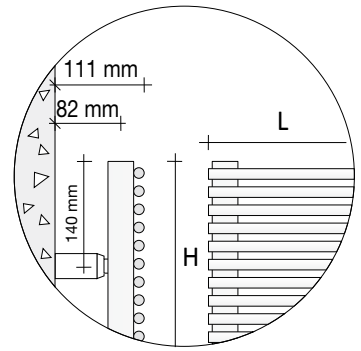
BA14E#080050 U1 ST 9010

Article code found in the prices table on the side

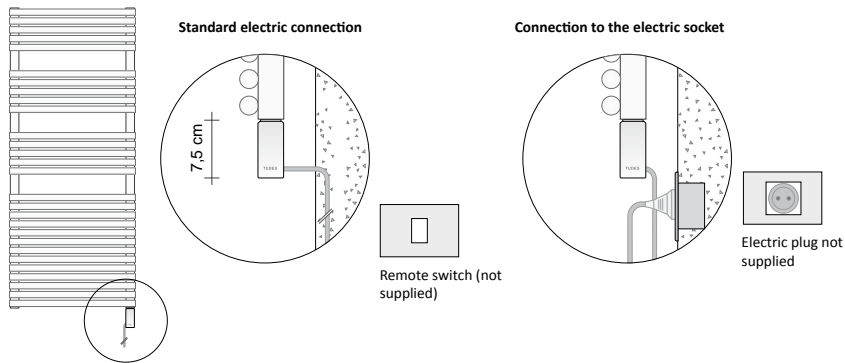
Resistance code listed in the next list

Standard Support code, only one support code available for Electric and Mixed version

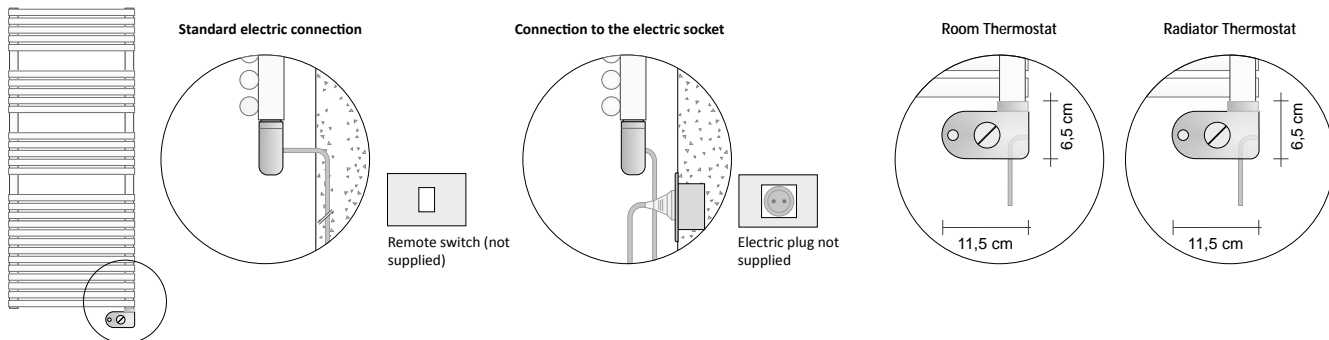
Colour code found in the TUBES COLOUR CHART



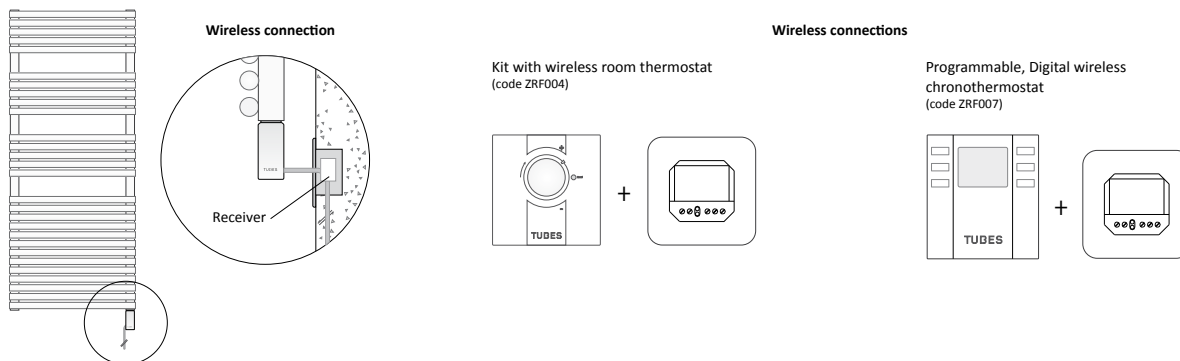
ELECTRIC VERSION WITH EDGE CAP



ELECTRIC VERSION WITH THERMOSTAT



ELECTRIC VERSION WITH WIRELESS THERMOSTAT

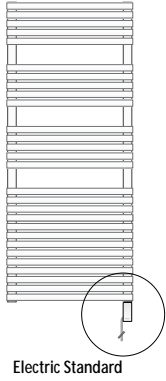


BATH 14 ELECTRIC

Towel warmer composed of horizontal fusion welded elements in 14 mm diameter steel with 34 mm diam. manifolds



ELECTRIC VERSION WITH EDGE CAP

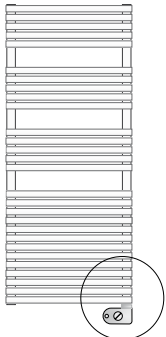


Electric Standard

Model	Edge Cap Colour Code			H (cm)	L (cm)	Electric resistor Watts	Price RAL 9010 CategoryC0 (€)	Price Category C1/C2 (€)	Price Category C3 (€)	Price Chrome plated G0 (€)
	White	Grey	Chrome*							
BA14E#080040	U1	V1	Z1*	82,6	40,0	300 W				
BA14E#080050	U1	V1	Z1*							
BA14E#080060	U2	V2	Z2*							
BA14E#120040	U2	V2	Z2*	116,2	40,0	600 W				
BA14E#120050	U2	V2	Z2*							
BA14E#120060	U3	V3	Z3*							
BA14E#150040	U2	V2	Z2*	149,8	40,0	600 W				
BA14E#150050	U3	V3	Z3*							
BA14E#150060	U3	V3	Z3*							
BA14E#190040	U3	V3	Z3*	195,4	40,0	900 W				
BA14E#190050	U3	V3	Z3*							
BA14E#190060	U4	V4	Z4*							

* Supplied with price surcharge of € 10.00

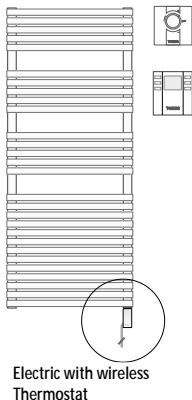
ELECTRIC VERSION WITH THERMOSTAT



Electric
- Room Thermostat
- Radiator Thermostat

Model	Code Thermostat				H (cm)	L (cm)	Electric resistor Watts	Price RAL 9010 CategoryC0 (€)	Price Category C1/C2 (€)	Price Category C3 (€)	Price Chrome plated G0 (€)
	ROOM THERMOSTAT		RADIATOR								
	White	Chrome	White	Chrome							
BA14E#080040	A5	A7	N1	N5	82,6	40,0	300 W				
BA14E#080050	A5	A7	N1	N5							
BA14E#080060	B5	B7	N2	N6							
BA14E#120040	B5	B7	N2	N6	116,2	40,0	600 W				
BA14E#120050	B5	B7	N2	N6							
BA14E#120060	C5	C7	N3	N7							
BA14E#150040	B5	B7	N2	N6	149,8	40,0	600 W				
BA14E#150050	C5	C7	N3	N7							
BA14E#150060	C5	C7	N3	N7							
BA14E#190040	C5	C7	N3	N7	195,4	40,0	900 W				
BA14E#190050	C5	C7	N3	N7							
BA14E#190060	D5	D7	N4	N8							

ELECTRIC VERSION WITH WIRELESS THERMOSTAT



Electric with wireless Thermostat

Model	Edge Cap Colour Code			Wireless Thermostat Code		H (cm)	L (cm)	Electric resistor Watts	Price RAL 9010 CategoryC0 (€)	Price Category C1/C2 (€)	Price Category C3 (€)	Price Chrome plated G0 (€)
	White	Grey	Chrome*	Room	Chronothermostat							
				Thermostat Kit	Kit**							
BA14E#080040	U1	V1	Z1*	+ZRF004	+ZRF007**	82,6	40,0	300 W				
BA14E#080050	U1	V1	Z1*	+ZRF004	+ZRF007**							
BA14E#080060	U2	V2	Z2*	+ZRF004	+ZRF007**							
BA14E#120040	U2	V2	Z2*	+ZRF004	+ZRF007**	116,2	40,0	600 W				
BA14E#120050	U2	V2	Z2*	+ZRF004	+ZRF007**							
BA14E#120060	U3	V3	Z3*	+ZRF004	+ZRF007**							
BA14E#150040	U2	V2	Z2*	+ZRF004	+ZRF007**	149,8	40,0	600 W				
BA14E#150050	U3	V3	Z3*	+ZRF004	+ZRF007**							
BA14E#150060	U3	V3	Z3*	+ZRF004	+ZRF007**							
BA14E#190040	U3	V3	Z3*	+ZRF004	+ZRF007**	195,4	40,0	900 W				
BA14E#190050	U3	V3	Z3*	+ZRF004	+ZRF007**							
BA14E#190060	U4	V4	Z4*	+ZRF004	+ZRF007**							

* Supplied with price surcharge of € 10.00 - ** The chronothermostat kit comes with an extra charge of € 80.00

The wireless ELECTRIC version consists of two articles, eg BA14E#120050 U1 (Electric Towel warmer with white edge cap) + ZRF004 (Kit Roomthermostat) and the total price is shown in the table. If the customer chooses ZRF007 ** (Chronothermostat kit) at the price indicated in the table must be added the extra price of € 78.00

ADDITIONAL CHARGES FOR COLOURS AND FINISHES (see the official Tubes Colour Chart)

For RAL colours not included in the colour chart and according to samples request feasibility and estimate

PLATED finishes: Nickel Satin finish same price as Glossy CHROME (cat. G1), 14kt GOLD finish (cat. G5) and 24kt gold (cat. G6), request a cost estimate

BATH 14 Mixed

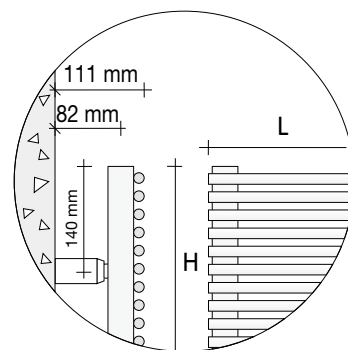
Towel warmer composed of horizontal fusion welded elements in 14 mm diameter steel with 34 mm diam. manifolds

MX

ORDER EXAMPLE

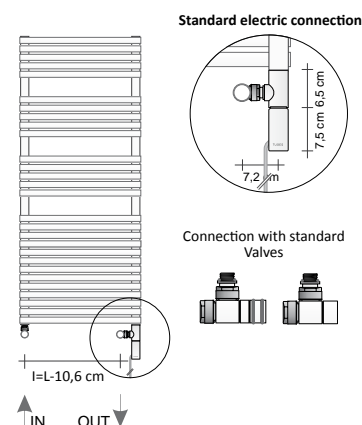
To correctly order this model follow the example specified below:

PRODUCT **BA14M#080050 KU1 ST 9010**
 BA14M#080050 Article code found in the prices table on the side
 ST Standard Support code, only one support code available for Electric and Mixed version
 9010 Colour code found in the TUBES COLOUR CHART



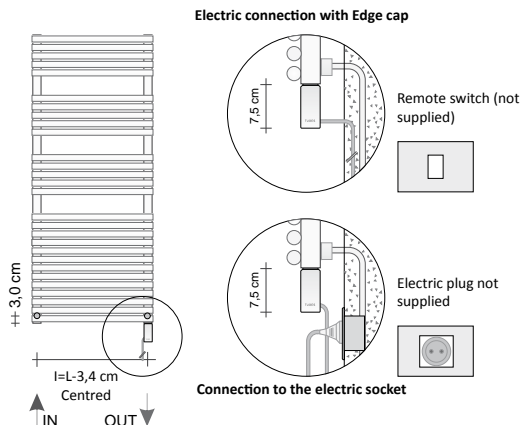
MIXED WITH KIT, EXTERNAL CONNECTOR WITH STANDARD VALVES (code BA14M#...)

MIXED VERSION WITH KIT and external connectors

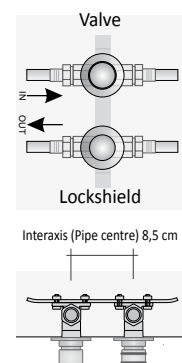


MIXED WITH KIT, REAR CONNECTOR WITH GVR (REMOTE VALVES) (code BA14MS#...)

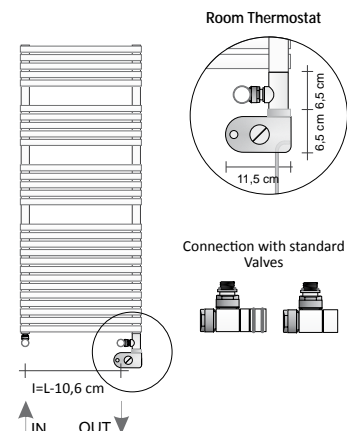
MIXED VERSION WITH EDGE CAP with rear connectors and GVR



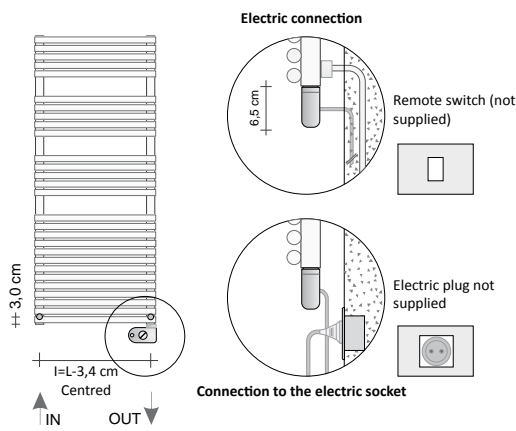
Connection to the Remote Valve Assembly (GVR)



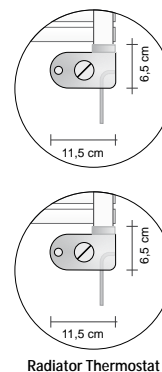
MIXED VERSION WITH KIT AND THERMOSTAT (Room) with external connectors



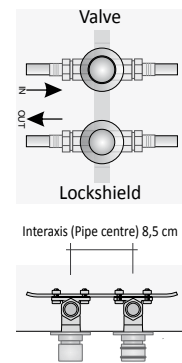
MIXED VERSION WITH THERMOSTAT (Room/Radiator) and rear connectors for GVR (Room/Radiator) and rear connectors for GVR



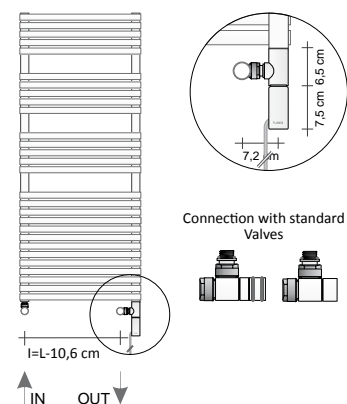
Room Thermostat



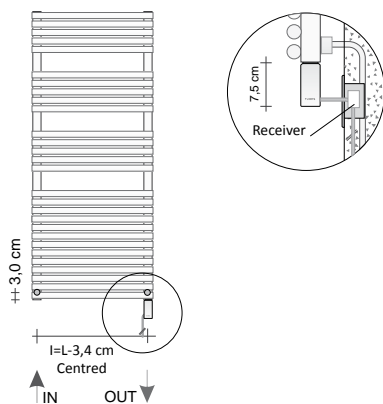
Connection to the Remote Valve Assembly (GVR)



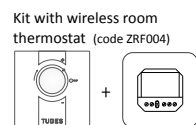
MIXED WITH KIT, WIRELESS THERMOSTAT and external connectors



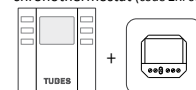
MIXED WITH KIT, WIRELESS THERMOSTAT and rear connectors



Wireless connections

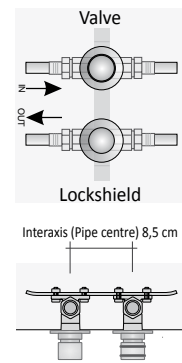


Programmable, Digital wireless chronothermostat (code ZRF007)



The Room Thermostat Kit and Chronothermostat Kit also includes the receiver for wireless connection

Connection to the Remote Valve Assembly (GVR)



ADDITIONAL CHARGES FOR COLOURS AND FINISHES (see the official Tubes Colour Chart)

For RAL colours not included in the colour chart and according to samples request feasibility and estimate.

PLATED finishes: Nickel Satin finish same price as Glossy CHROME (cat. G1), 14kt GOLD finish (cat. G5) and 24kt gold (cat. G6), request a cost estimate

BATH 14 Mixed

Towel warmer composed of horizontal fusion welded elements in 14 mm diameter steel with 34 mm diam. manifolds



MIXED VERSION - (BA14M means the version with kit and standard valves- BA14MS means the version to be connected by GVR and rear connection)

Connectable Version via		Edge Cap Colour Code			H (cm)	L (cm)	Interaxis (Pipe centre) (cm)	Coloured version		Chrome plated version		Electric resistor Watts	Price RAL 9010 CategoryC0 (€)	Price Category C1/C2 (€)	Price Category C3 (€)	Price Chrome plated G0 (€)
Standard Valves	rear connector and GVR	White	Grey	Chrome*				Watts ΔT 50°C	Watts ΔT 30°C	Watts ΔT 50°C	Watts ΔT 30°C					
BA14M#080040	BA14MS#080040	KU1	KV1	KZ1*	82,6	40,0	29,4	367	204	271	142	300 W				
BA14M#080050	BA14MS#080050	KU1	KV1	KZ1*		50,0	39,4	459	255	345	182	300 W				
BA14M#080060	BA14MS#080060	KU2	KV2	KZ2*		60,0	49,4	550	306	418	222	600 W				
BA14M#120040	BA14MS#120040	KU2	KV2	KZ2*	116,2	40,0	29,4	488	270	386	204	600 W				
BA14M#120050	BA14MS#120050	KU2	KV2	KZ2*		50,0	39,4	610	338	471	250	600 W				
BA14M#120060	BA14MS#120060	KU3	KV3	KZ3*		60,0	49,4	732	405	556	297	900 W				
BA14M#150040	BA14MS#150040	KU2	KV2	KZ2*	149,8	40,0	29,4	598	331	481	249	600 W				
BA14M#150050	BA14MS#150050	KU3	KV3	KZ3*		50,0	39,4	747	413	585	306	900 W				
BA14M#150060	BA14MS#150060	KU3	KV3	KZ3*		60,0	49,4	896	496	689	363	900 W				
BA14M#190040	BA14MS#190040	KU3	KV3	KZ3*	195,4	40,0	29,4	781	429	625	323	900 W				
BA14M#190050	BA14MS#190050	KU3	KV3	KZ3*		50,0	39,4	977	536	758	394	900 W				
BA14M#190060	BA14MS#190060	KU4	KV4	KZ4*		60,0	49,4	1172	643	891	465	1200 W				

* Supplied with price surcharge of € 10.00

MIXED VERSION WITH THERMOSTAT (Room/Radiator) and rear connectors for GVR - (BA14M means the version with kit and standard valves- BA14MS means the version to be connected by GVR and rear connection)

Connectable Version via		Code Thermostat				H (cm)	L (cm)	Interaxis (Pipe centre) (cm)	Coloured version		Chrome plated version		Electric resistor Watts	Price RAL 9010 CategoryC0 (€)	Price Category C1/C2 (€)	Price Category C3 (€)	Price Chrome plated G0 (€)
Standard Valves	rear connector and GVR	ROOM THER-MOSTAT	RADIATOR		Watts ΔT 50°C				Watts ΔT 30°C	Watts ΔT 50°C	Watts ΔT 30°C						
		White	Chrome	White	Chrome												
BA14M#080040	BA14MS#080040	KA5	KA7	KN1	KN5	82,6	40,0	29,4	367	204	271	142	300 W				
BA14M#080050	BA14MS#080050	KA5	KA7	KN1	KN5		50,0	39,4	459	255	345	182	300 W				
BA14M#080060	BA14MS#080060	KB5	KB7	KN2	KN6		60,0	49,4	550	306	418	222	600 W				
BA14M#120040	BA14MS#120040	KB5	KB7	KN2	KN6	116,2	40,0	29,4	488	270	386	204	600 W				
BA14M#120050	BA14MS#120050	KB5	KB7	KN2	KN6		50,0	39,4	610	338	471	250	600 W				
BA14M#120060	BA14MS#120060	KC5	KC7	KN3	KN7		60,0	49,4	732	405	556	297	900 W				
BA14M#150040	BA14MS#150040	KB5	KB7	KN2	KN6	149,8	40,0	29,4	598	331	481	249	600 W				
BA14M#150050	BA14MS#150050	KC5	KC7	KN3	KN7		50,0	39,4	747	413	585	306	900 W				
BA14M#150060	BA14MS#150060	KC5	KC7	KN3	KN7		60,0	49,4	896	496	689	363	900 W				
BA14M#190040	BA14MS#190040	KC5	KC7	KN3	KN7	195,4	40,0	29,4	781	429	625	323	900 W				
BA14M#190050	BA14MS#190050	KC5	KC7	KN3	KN7		50,0	39,4	977	536	758	394	900 W				
BA14M#190060	BA14MS#190060	KD5	KD7	KN4	KN8		60,0	49,4	1172	643	891	465	1200 W				

MIXED VERSION WITH WIRELESS THERMOSTAT - (BA14M means the version with kit and standard valves- BA14MS means the version to be connected by GVR and rear connection)

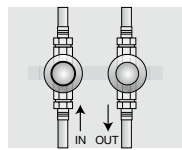
Connectable Version via		Edge Cap Colour Code			Wireless Thermostat Code		H (cm)	L (cm)	Interaxis (Pipe centre) (cm)	Coloured version		Chrome plated version		Electric resistor Watts	Price RAL 9010 CategoryC0 (€)	Price Category C1/C2 (€)	Price Category C3 (€)	Price Chrome plated G0 (€)
Standard Valves	rear connector and GVR	White	Grey	Chrome*	Room Thermostat Kit	Chronothermostat Kit**				Watts ΔT 50°C	Watts ΔT 30°C	Watts ΔT 50°C	Watts ΔT 30°C					
BA14M#080040	BA14MS#080040	KU1	KV1	KZ1*	+ZRF004	+ZRF007**	82,6	40,0	29,4	367	204	271	142	300 W				
BA14M#080050	BA14MS#080050	KU1	KV1	KZ1*	+ZRF004	+ZRF007**		50,0	39,4	459	255	345	182	300 W				
BA14M#080060	BA14MS#080060	KU2	KV2	KZ2*	+ZRF004	+ZRF007**		60,0	49,4	550	306	418	222	600 W				
BA14M#120040	BA14MS#120040	KU2	KV2	KZ2*	+ZRF004	+ZRF007**	116,2	40,0	29,4	488	270	386	204	600 W				
BA14M#120050	BA14MS#120050	KU2	KV2	KZ2*	+ZRF004	+ZRF007**		50,0	39,4	610	338	471	250	600 W				
BA14M#120060	BA14MS#120060	KU3	KV3	KZ3*	+ZRF004	+ZRF007**		60,0	49,4	732	405	556	297	900 W				
BA14M#150040	BA14MS#150040	KU2	KV2	KZ2*	+ZRF004	+ZRF007**	149,8	40,0	29,4	598	331	481	249	600 W				
BA14M#150050	BA14MS#150050	KU3	KV3	KZ3*	+ZRF004	+ZRF007**		50,0	39,4	747	413	585	306	900 W				
BA14M#150060	BA14MS#150060	KU3	KV3	KZ3*	+ZRF004	+ZRF007**		60,0	49,4	896	496	689	363	900 W				
BA14M#190040	BA14MS#190040	KU3	KV3	KZ3*	+ZRF004	+ZRF007**	195,4	40,0	29,4	781	429	625	323	900 W				
BA14M#190050	BA14MS#190050	KU3	KV3	KZ3*	+ZRF004	+ZRF007**		50,0	39,4	977	536	758	394	900 W				
BA14M#190060	BA14MS#190060	KU4	KV4	KZ4*	+ZRF004	+ZRF007**		60,0	49,4	1172	643	891	465	1200 W				

* Supplied with price surcharge of € 10.00 - ** The chronothermostat kit comes with an extra charge of € 80.00

The wireless MIXED version consists of two articles, eg.: BA14M#120050 KU1 (MIXED Towel warmer with white edge cap) + ZRF004 (Kit Roomthermostat) and the total price is shown in the table. If the customer chooses ZRF007 ** (Chronothermostat kit) at the price indicated in the table must be added the extra price of € 78.00

REMOTE VALVE ASSEMBLY

code	Description	Price
GVR#	Valve and Lockshield assembly for recessed remote connection, CHROME finish	€
GVR#	Valve and Lockshield assembly for recessed remote connection, COLOUR finish	€



STANDARD VALVES (for Valves and Lockshields, valves that can be fitted with thermostat, Thermostatic valves, or Single pipe, Twin pipe, Stainless steel and thermostatic heads see pages 271, 272, 273, 274 and 275 of the Price List)

code / Description	Price
Z1TLNR#ANR129010 Paired Valve and Lockshield copper Angle 1/2" WHITE	€
Z1RAC#R12CRO 2 copper unions diam. 12 mm	CHROME €
ZRCF# Kit with pipe collars for towel warmers	WHITE €

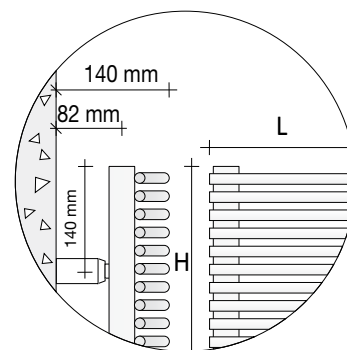
ORDER EXAMPLE

To correctly order this model follow the example specified below:

PRODUCT **BACU#120050 OB1 ST 9010**
 BACU#120050 Article code found in the prices table on the side
 OB1 Connector code found in the table here below
 ST Standard Support code found in the table here below
 9010 Colour code found in the TUBES COLOUR CHART

ACCESSORIES
 Z1TLNR#AN R12 9010 Valve and Lockshield - Copper angle 1/2" for copper pipes or multi-layer pipes - White RAL 9010
 Z1RAC#R12CRO 12mm diam. copper pipe unions for Valve+Lockshield – chrome finish (2)

For other types of Valves see the table below or those on pages 271 - 272 - 273 - 274 - 275.



CONNECTORS

The towel warmers are supplied with "OB1" connectors.

If different connectors are required, strictly indicate this in the order. **IMPORTANT:** the connectors of towel warmers and radiators connected to the same system should all have the same configuration otherwise operating problems could occur.

Standard connectors

Will be supplied if not otherwise specified when placing the order

Rear connector

Supplied on request WITH an additional price charge of €

Custom-made connectors

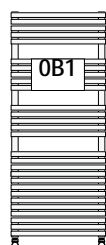
Supplied on request WITH an additional price charge of €

Connectors on request

Supplied on request WITHOUT an additional price charge

Custom-made connectors

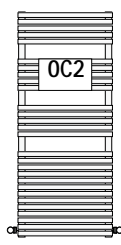
Supplied on request WITH an additional price charge of €



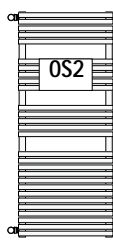
Interaxis (Pipe centre)
l=L-4,5 cm



l=L-4,5 cm
rear connector for connection to GVR



Interaxis (Pipe centre)
l=L+13,8 cm



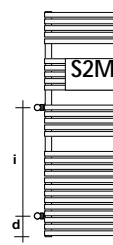
Interaxis (Pipe centre)
l=H-5,8 cm



Interaxis (Pipe centre)
l=H-5,8 cm



single pipe



Specify "i" and "d"
i min.=5 cm
d min.=2 cm



SUPPORTS

The towel warmers are supplied with standard supports (code ST) that include wall fixing shelves, pressure anchors and manual Vent Valve.

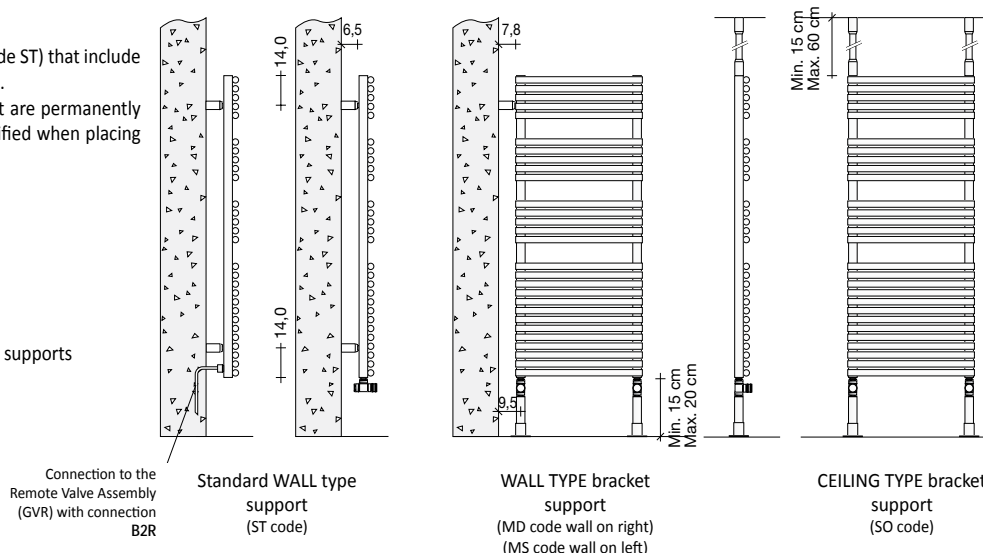
On request they can be ordered with bracket supports that are permanently welded on the towel warmers and therefore must be specified when placing the order, their code and cost are as follows:

code MD WALL TYPE bracket support on the Right €
 code MS WALL TYPE bracket support on the Left €
 code SO CEILING TYPE bracket support €

LIMITS

WALL TYPE bracket support All widths
 CEILING TYPE bracket support All widths

The Chrome plated version cannot be supplied with bracket supports



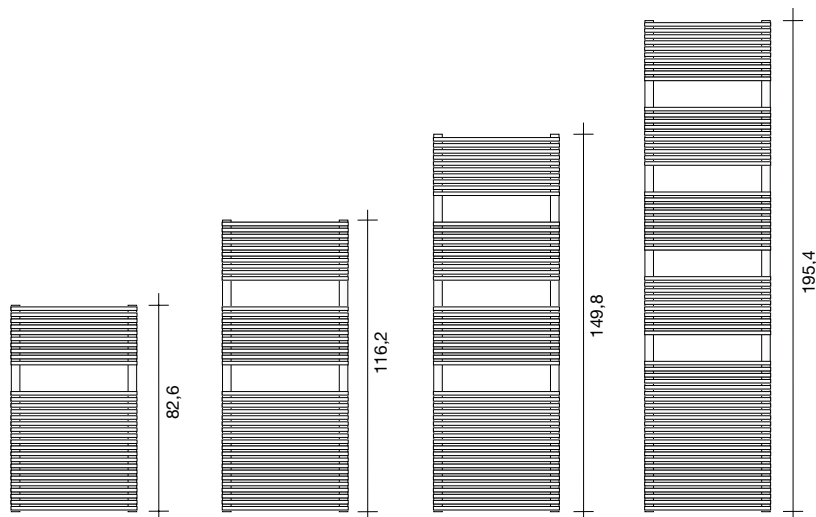
ADDITIONAL CHARGES FOR COLOURS AND FINISHES (see the official Tubes Colour Chart)

RAL colours not included in the colour chart + 30% more than Pure white price (cat. C0), for colours according to samples request feasibility and estimate.

PLATED finishes: Nickel Satin finish same price as Glossy CHROME (cat. G1), 14kt GOLD finish (cat. G5)+50% and 24kt GOLD (cat. G6)+60% more than Chrome (Cat.G0).

BATH CURVO

Price per radiator with White RAL 9010 finish and standard connectors - VAT and transport charges excluded



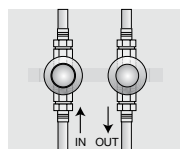
Code	H (cm)	L (cm)	Interaxis (Pipe centre) (cm)	Water Content (l)	Coloured version		Chrome plated version		Category C0 RAL 9010 (€)	Category C1/C2 (€)	Category C3 (€)	Chrome plated G0 (€)
					Watts ΔT 50°C	Watts ΔT 30°C	Watts ΔT 50°C	Watts ΔT 30°C				
BACU#080485	82,6	48,5	44	2,67	459	241	345	181				
BACU#080585		58,5	54	2,96	550	291	418	221				
BACU#120485	116,2	48,5	44	3,65	610	326	471	252				
BACU#120585		58,5	54	4,03	732	392	556	298				
BACU#150485	149,8	48,5	44	4,64	747	402	585	315				
BACU#150585		58,5	54	5,11	896	474	689	364				
BACU#190485	195,4	48,5	44	6,04	977	519	758	403				
BACU#190585		58,5	54	6,65	1172	626	891	476				

In the CHROME (plated) version the code BACU becomes BACUG
For correction factors different to ΔT50°C/ΔT30°C see page 284-289

Towel warmers available in stock with OB1 connector and in White RAL 9010 colour or Chrome plated

REMOTE VALVE ASSEMBLY

code	Description	Price
GVR#	Valve and Lockshield assembly for recessed remote connection, CHROME finish	€
GVRC#	Valve and Lockshield assembly for recessed remote connection, COLOUR finish	€



STANDARD VALVES (for Valves and Lockshields, valves that can be fitted with thermostat, Thermostatic valves, or Single pipe, Twin pipe, Stainless steel and thermostatic heads see pages 271, 272, 273, 274 und 275 of the Price List)

code / Description	Price
Z1TLNR#ANR129010 Paired Valve and Lockshield copper Angle 1/2" WHITE	€
Z1RAC#R12CRO 2 copper unions diam. 12 mm	CHROME €
ZRCF# Kit with pipe collars for towel warmers	WHITE €

ORDER EXAMPLE

To correctly order this model follow the example specified below:

PRODUCT

BACUE#080050
U1
ST
9010

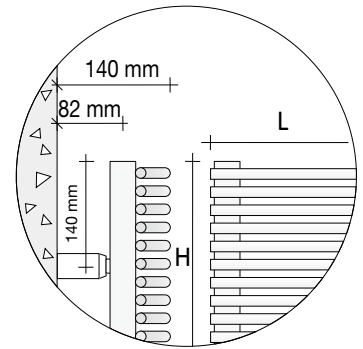
BACUE#080050 U1 ST 9010

Article code found in the prices table on the side

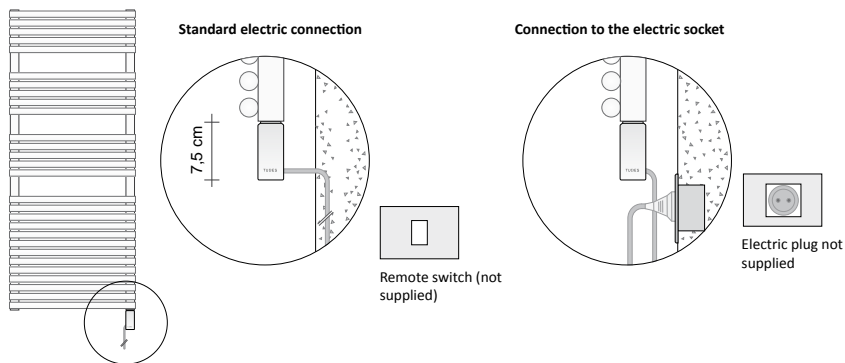
Resistance code listed in the next list

Standard Support code, only one support code available for Electric and Mixed version

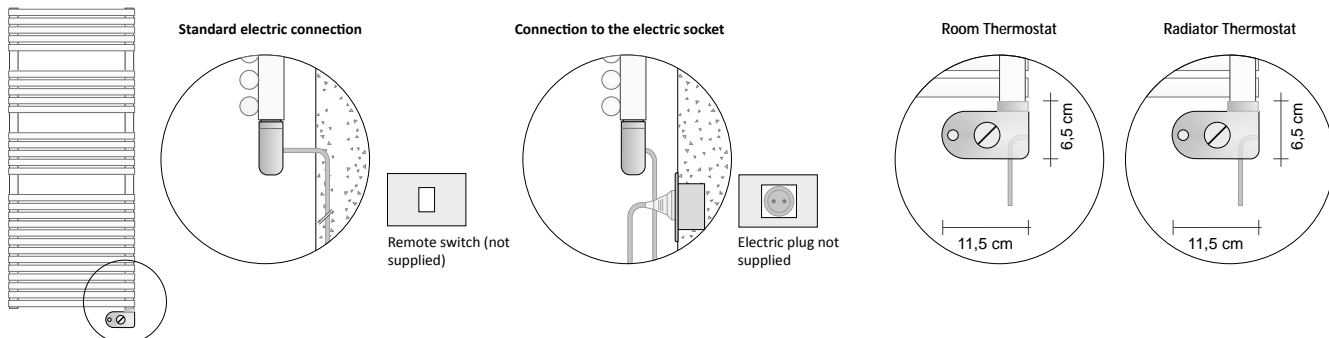
Colour code found in the TUBES COLOUR CHART



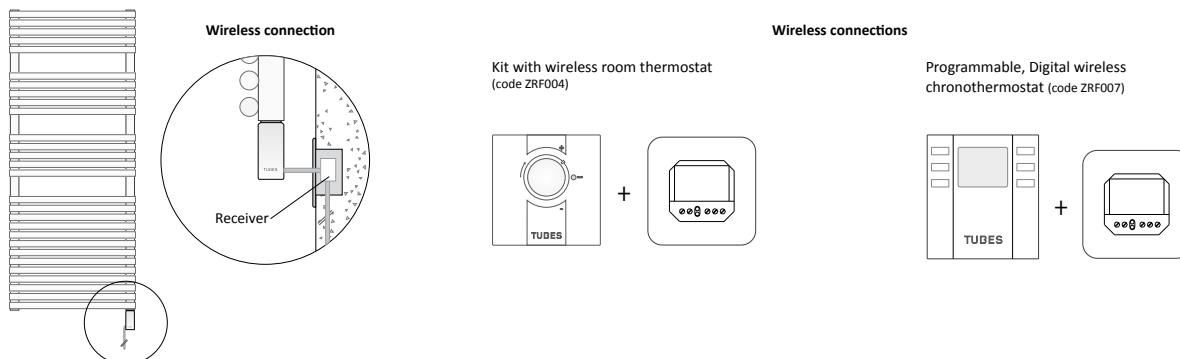
ELECTRIC VERSION WITH EDGE CAP



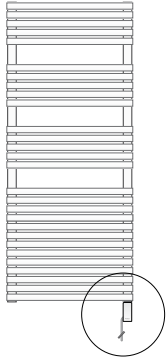
ELECTRIC VERSION WITH THERMOSTAT



ELECTRIC VERSION WITH WIRELESS THERMOSTAT



ELECTRIC VERSION WITH EDGE CAP

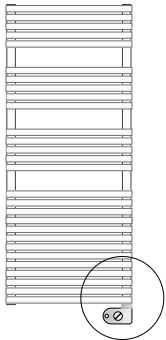


Electric Standard

Model	Edge Cap Colour Code			H (cm)	L (cm)	Electric resistor Watts	Price RAL 9010 CategoryC0 (€)	Price Category C1/C2 (€)	Price Category C3 (€)	Price Chrome plated G0 (€)
	White	Grey	Chrome*							
BACUE#080485	U1	V1	Z1*	82,6	48,5	300 W				
BACUE#080585	U2	V2	Z2*		58,5	600 W				
BACUE#120485	U2	V2	Z2*	116,2	48,5	600 W				
BACUE#120585	U3	V3	Z3*		58,5	900 W				
BACUE#150485	U3	V3	Z3*	149,8	48,5	900 W				
BACUE#150585	U3	V3	Z3*		58,5	900 W				
BACUE#190485	U3	V3	Z3*	195,4	48,5	900 W				
BACUE#190585	U4	V4	Z4*		58,5	1200 W				

* Supplied with price surcharge of € 10.00

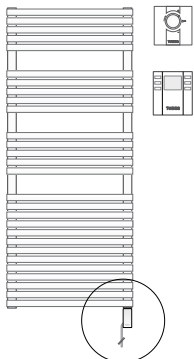
ELECTRIC VERSION WITH THERMOSTAT



Electric
- Room Thermostat
- Radiator Thermostat

Model	Code Thermostat				H (cm)	L (cm)	Electric resistor Watts	Price RAL 9010 CategoryC0 (€)	Price Category C1/C2 (€)	Price Category C3 (€)	Price Chrome plated G0 (€)
	ROOM THERMOSTAT		RADIATOR								
	White	Chrome	White	Chrome							
BACUE#080485	A5	A7	N1	N5	82,6	48,5	300 W				
BACUE#080585	B5	B7	N2	N6		58,5	600 W				
BACUE#120485	B5	B7	N2	N6	116,2	48,5	600 W				
BACUE#120585	C5	C7	N3	N7		58,5	900 W				
BACUE#150485	C5	C7	N3	N7	149,8	48,5	900 W				
BACUE#150585	C5	C7	N3	N7		58,5	900 W				
BACUE#190485	C5	C7	N3	N7	195,4	48,5	900 W				
BACUE#190585	D5	D7	U4	N8		58,5	1200 W				

ELECTRIC VERSION WITH WIRELESS THERMOSTAT



Electric with wireless Thermostat

Model	Edge Cap Colour Code			Wireless Thermostat Code		H (cm)	L (cm)	Electric resistor Watts	Price RAL 9010 CategoryC0 (€)	Price Category C1/C2 (€)	Price Category C3 (€)	Price Chrome plated G0 (€)
	White	Grey	Chrome*	Room Thermostat Kit	Chronothermostat Kit**							
				+ZRF004	+ZRF007**							
BACUE#080485	U1	V1	Z1*	+ZRF004	+ZRF007**	82,6	48,5	300 W				
BACUE#080585	U2	V2	Z2*	+ZRF004	+ZRF007**		58,5	600 W				
BACUE#120485	U2	V2	Z2*	+ZRF004	+ZRF007**	116,2	48,5	600 W				
BACUE#120585	U3	V3	Z3*	+ZRF004	+ZRF007**		58,5	900 W				
BACUE#150485	U3	V3	Z3*	+ZRF004	+ZRF007**	149,8	48,5	900 W				
BACUE#150585	U3	V3	Z3*	+ZRF004	+ZRF007**		58,5	900 W				
BACUE#190485	U3	V3	Z3*	+ZRF004	+ZRF007**	195,4	48,5	900 W				
BACUE#190585	U4	V4	Z4*	+ZRF004	+ZRF007**		58,5	1200 W				

* Supplied with price surcharge of € 10.00 - ** The chronothermostat kit comes with an extra charge of € 80.00

The wireless ELECTRIC version consists of two articles, eg BACUE#080485 U1 (Electric Towel warmer with white edge cap) + ZRF004 (Kit Roomthermostat) and the total price is shown in the table. If the customer chooses ZRF007 ** (Chronothermostat kit) at the price indicated in the table must be added the extra price of € 78.00

ADDITIONAL CHARGES FOR COLOURS AND FINISHES (see the official Tubes Colour Chart)

For RAL colours not included in the colour chart and according to samples request feasibility and estimate

PLATED finishes: Nickel Satin finish same price as Glossy CHROME (cat. G1), 14kt GOLD finish (cat. G5) and 24kt gold (cat. G6), request a cost estimate

BATH CURVO Mixed

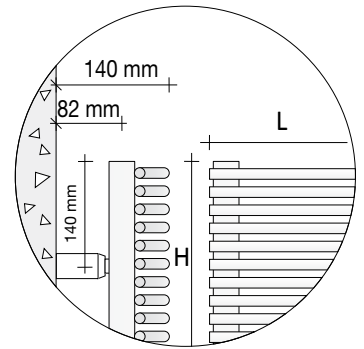
Towel warmer composed of horizontal fusion welded elements in 14 mm diameter steel with 34 mm diam. manifolds

MX

ORDER EXAMPLE

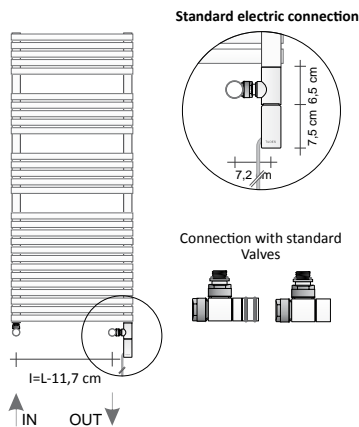
To correctly order this model follow the example specified below:

PRODUCT **BACUM#080050 KU1 ST 9010**
 BACUE#080050 Article code found in the prices table on the side
 ST Standard Support code, only one support code available for Electric and Mixed version
 9010 Colour code found in the TUBES COLOUR CHART



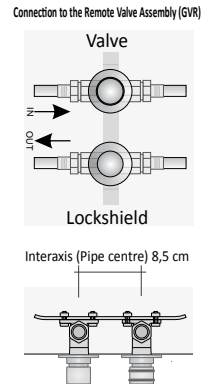
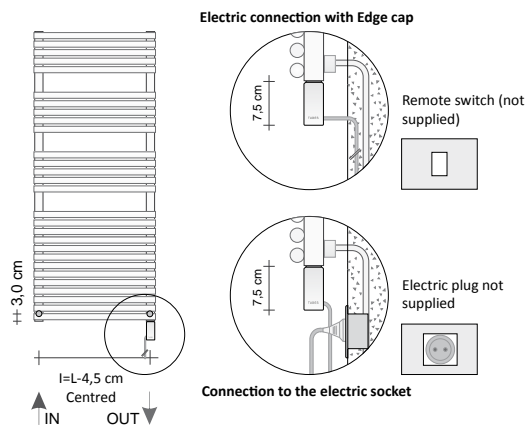
MIXED WITH KIT, EXTERNAL CONNECTOR WITH STANDARD VALVES (code BACUM#...)

MIXED VERSION WITH KIT and external connectors

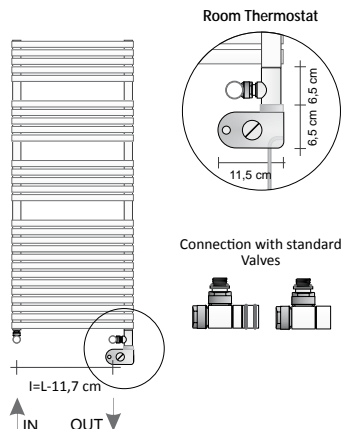


MIXED WITH KIT, REAR CONNECTOR WITH GVR (REMOTE VALVES) (code BACUMS#...)

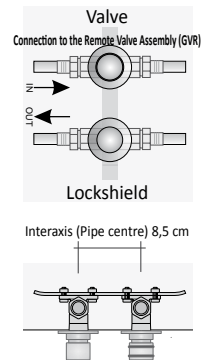
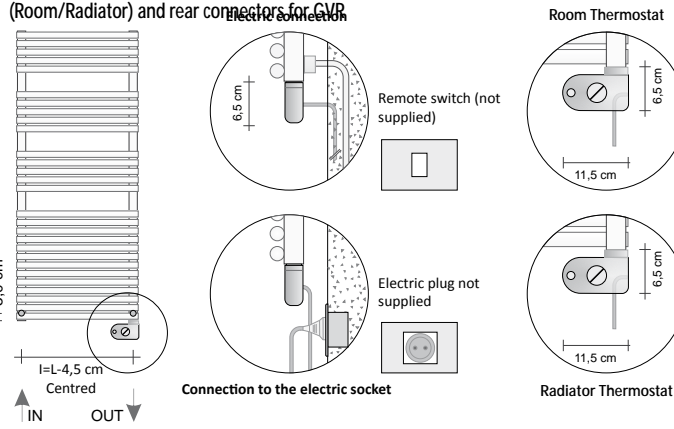
MIXED VERSION WITH EDGE CAP with rear connectors and GVR



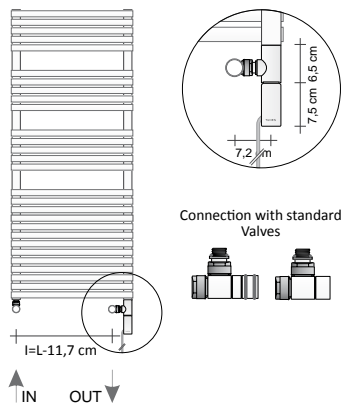
MIXED VERSION WITH KIT AND THERMOSTAT (Room) with external connectors



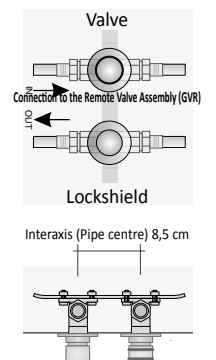
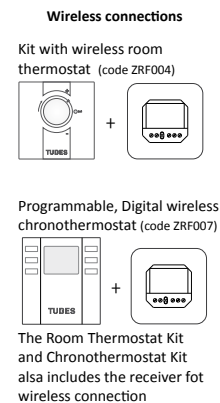
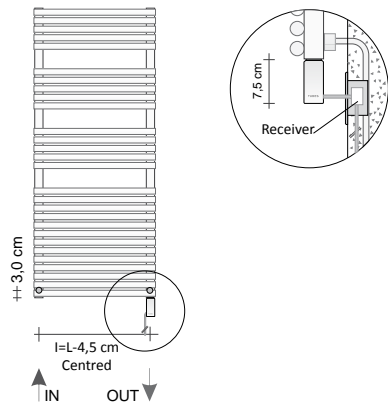
MIXED VERSION WITH THERMOSTAT (Room/Radiator) and rear connectors for GVR



MIXED WITH KIT, WIRELESS THERMOSTAT and external connectors



MIXED WITH KIT, WIRELESS THERMOSTAT and rear connectors



ADDITIONAL CHARGES FOR COLOURS AND FINISHES (see the official Tubes Colour Chart)

For RAL colours not included in the colour chart and according to samples request feasibility and estimate.

PLATED finishes: Nickel Satin finish same price as Glossy CHROME (cat. G1), 14kt GOLD finish (cat. G5) and 24kt gold (cat. G6), request a cost estimate

BATH CURVO Mixed

Towel warmer composed of horizontal fusion welded elements in 14 mm diameter steel with 34 mm diam. manifolds



MIXED VERSION - WITH EDGE CAP

Connectable Version via		Edge Cap Colour Code			H (cm)	L (cm)	Interaxis (Pipe centre) (cm)	Coloured version		Chrome plated version		Electric resistor Watts	Price RAL 9010 Category C0 (€)	Price Category C1/C2 (€)	Price Category C3 (€)	Price Chrome plated G0 (€)
Standard Valves	rear connector and GVR	White	Grey	Chrome*				Watts ΔT 50°C	Watts ΔT 30°C	Watts ΔT 50°C	Watts ΔT 30°C					
BACUM#080485	BACUMS#080485	KU1	KV1	KZ1*	82,6	48,5	36,8	459	241	345	181	300 W				
BACUM#080585	BACUMS#080585	KU2	KV2	KZ2*		58,5	46,8	550	291	418	221	600 W				
BACUM#120485	BACUMS#120485	KU2	KV2	KZ2*	116,2	48,5	36,8	610	326	471	252	600 W				
BACUM#120585	BACUMS#120585	KU3	KV3	KZ3*		58,5	46,8	732	392	556	298	900 W				
BACUM#150485	BACUMS#150485	KU3	KV3	KZ3*	149,8	48,5	36,8	747	402	585	315	900 W				
BACUM#150585	BACUMS#150585	KU3	KV3	KZ3*		58,5	46,8	896	474	689	364	900 W				
BACUM#190485	BACUMS#190485	KU3	KV3	KZ3*	195,4	48,5	36,8	977	519	758	403	900 W				
BACUM#190585	BACUMS#190585	KU4	KV4	KZ4*		58,5	46,8	1172	626	891	476	1200 W				

* Supplied with price surcharge of € 10.00

MIXED VERSION WITH THERMOSTAT (Room/Radiator) and rear connectors for GVR - WITH EDGE CAP

Connectable Version via		Code Thermostat				H (cm)	L (cm)	Interaxis (Pipe centre) (cm)	Coloured version		Chrome plated version		Electric resistor Watts	Price RAL 9010 Category C0 (€)	Price Category C1/C2 (€)	Price Category C3 (€)	Price Chrome plated G0 (€)
Standard Valves	rear connector and GVR	ROOM THER-MOSTAT	RADIATOR		Watts ΔT 50°C				Watts ΔT 30°C	Watts ΔT 50°C	Watts ΔT 30°C						
		White	Chrome	White	Chrome												
BACUM#080485	BACUMS#080485	KA5	KA7	KN1	KN5	82,6	48,5	36,8	459	241	345	181	300 W				
BACUM#080585	BACUMS#080585	KB5	KB7	KN2	KN6		58,5	46,8	550	291	418	221	600 W				
BACUM#120485	BACUMS#120485	KB5	KB7	KN2	KN6	116,2	48,5	36,8	610	326	471	252	600 W				
BACUM#120585	BACUMS#120585	KC5	KC7	KN3	KN7		58,5	46,8	732	392	556	298	900 W				
BACUM#150485	BACUMS#150485	KC5	KC7	KN3	KN7	149,8	48,5	36,8	747	402	585	315	900 W				
BACUM#150585	BACUMS#150585	KC5	KC7	KN3	KN7		58,5	46,8	896	474	689	364	900 W				
BACUM#190485	BACUMS#190485	KC5	KC7	KN3	KN7	195,4	48,5	36,8	977	519	758	403	900 W				
BACUM#190585	BACUMS#190585	KD5	KD7	KN4	KN8		58,5	46,8	1172	626	891	476	1200 W				

MIXED VERSION WITH WIRELESS THERMOSTAT - WITH EDGE CAP

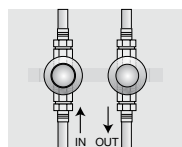
Connectable Version via		Edge Cap Colour Code			Wireless Thermostat Code		H (cm)	L (cm)	Interaxis (Pipe centre) (cm)	Coloured version		Chrome plated version		Electric resistor Watts	Price RAL 9010 Category C0 (€)	Price Category C1/C2 (€)	Price Category C3 (€)	Price Chrome plated G0 (€)
Standard Valves	rear connector and GVR	White	Grey	Chrome*	Room Thermostat Kit	Chronothermostat Kit**				Watts ΔT 50°C	Watts ΔT 30°C	Watts ΔT 50°C	Watts ΔT 30°C					
BACUM#080485	BACUMS#080485	KU1	KV1	KZ1*	+ZRF004	+ZRF007**	82,6	48,5	36,8	459	241	345	181	300 W				
BACUM#080585	BACUMS#080585	KU2	KV2	KZ2*	+ZRF004	+ZRF007**		58,5	46,8	550	291	418	221	600 W				
BACUM#120485	BACUMS#120485	KU2	KV2	KZ2*	+ZRF004	+ZRF007**	116,2	48,5	36,8	610	326	471	252	600 W				
BACUM#120585	BACUMS#120585	KU3	KV3	KZ3*	+ZRF004	+ZRF007**		58,5	46,8	732	392	556	298	900 W				
BACUM#150485	BACUMS#150485	KU3	KV3	KZ3*	+ZRF004	+ZRF007**	149,8	48,5	36,8	747	402	585	315	900 W				
BACUM#150585	BACUMS#150585	KU3	KV3	KZ3*	+ZRF004	+ZRF007**		58,5	46,8	896	474	689	364	900 W				
BACUM#190485	BACUMS#190485	KU3	KV3	KZ3*	+ZRF004	+ZRF007**	195,4	48,5	36,8	977	519	758	403	900 W				
BACUM#190585	BACUMS#190585	KU4	KV4	KZ4*	+ZRF004	+ZRF007**		58,5	46,8	1172	626	891	476	1200 W				

* Supplied with price surcharge of € 10.00 - ** The chronothermostat kit comes with an extra charge of € 80.00

The wireless MIXED version consists of two articles, eg.: BACUM#080485 KU1 (MIXED Towel warmer with white edge cap) + ZRF004 (Kit Roomthermostat) and the total price is shown in the table. If the customer chooses ZRF007 ** (Chronothermostat kit) at the price indicated in the table must be added the extra price of € 78.00

REMOTE VALVE ASSEMBLY

code	Description	Price
GVR#	Valve and Lockshield assembly for recessed remote connection, CHROME finish	€
GVR#	Valve and Lockshield assembly for recessed remote connection, COLOUR finish	€



STANDARD VALVES (for Valves and Lockshields, valves that can be fitted with thermostat, Thermostatic valves, or Single pipe, Twin pipe, Stainless steel and thermostatic heads see pages 271, 272, 273, 274 und 275 of the Price List)

code / Description	Price
Z1TLNR#ANR129010 Paired Valve and Lockshield copper Angle 1/2" WHITE	€
Z1RAC#R12CRO 2 copper unions diam. 12 mm	CHROME €
ZRCF# Kit with pipe collars for towel warmers	WHITE €